

Re: [sony\_apr] Re: Sony APR-24 Manual [10 Attachments]

**Subject:** Re: [sony\_apr] Re: Sony APR-24 Manual [10 Attachments]

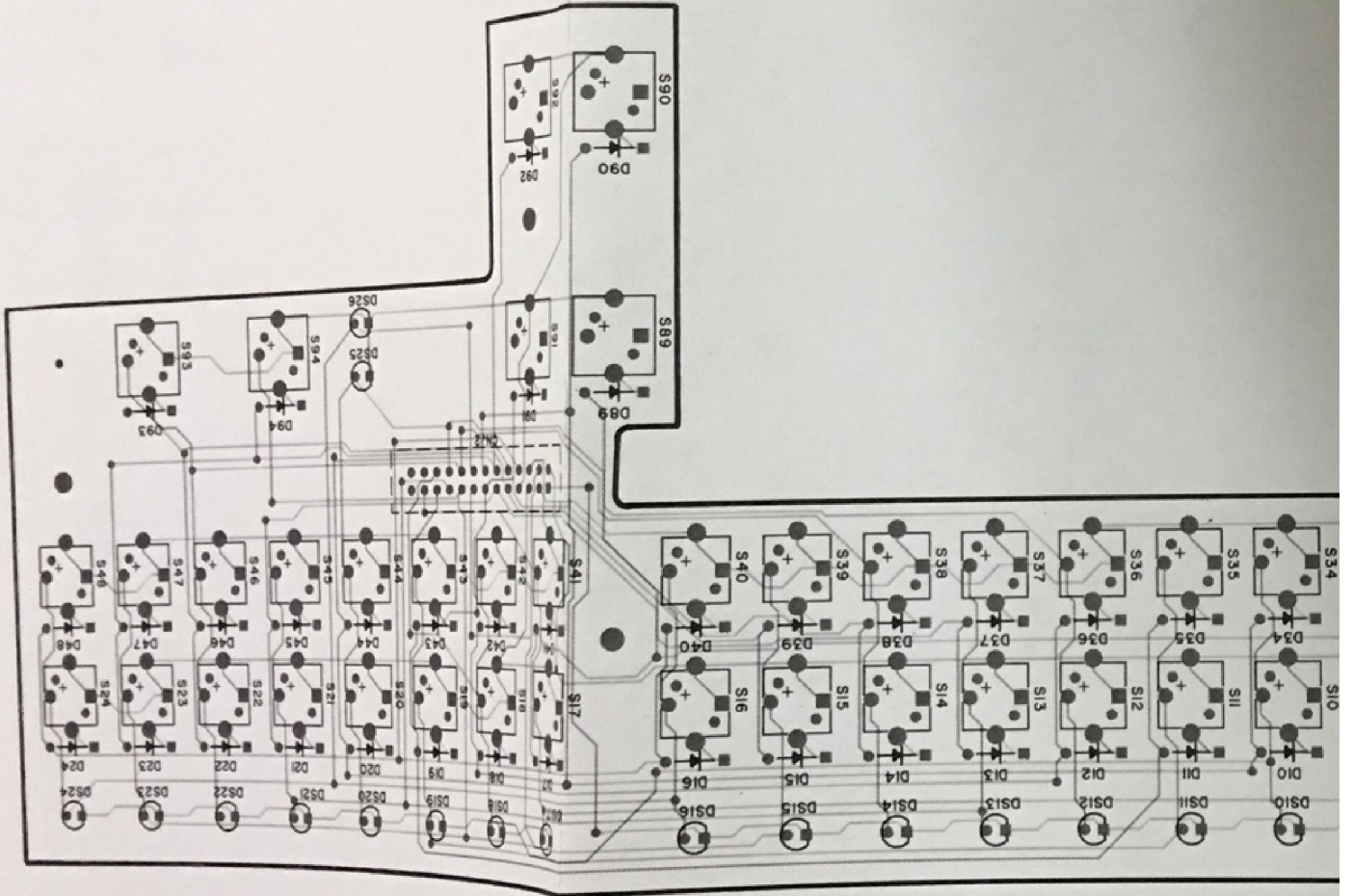
**From:** "Bellsouth bunkypiano@bellsouth.net [sony\_apr]" <sony\_apr@yahoogleroups.com>

**Date:** 9/8/2016 1:26 PM

**To:** sony\_apr@yahoogleroups.com

B-106

B-105



REMOTE CO

RD  
rack Remote Button Board

RIBBON  
SOLDER  
HEADER  
CNJ1

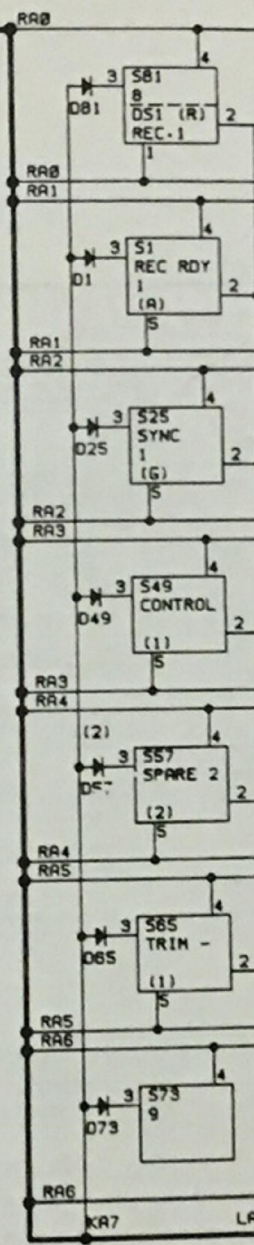
RA0	1
RA1	2
RA2	3
RA3	4
RA4	5
RA5	6
RA6	7
KA0	8
KA1	9
KA2	10
KA3	11
KA4	12
KA5	13
KA6	14
KA7	15
LA0	16
LA1	17
LA2	18
LA3	19
LA4	20
LA5	21
LA6	22
LA7	23
NC	24
NC	25
NC	26

TO CNJ7  
MRC BOARD

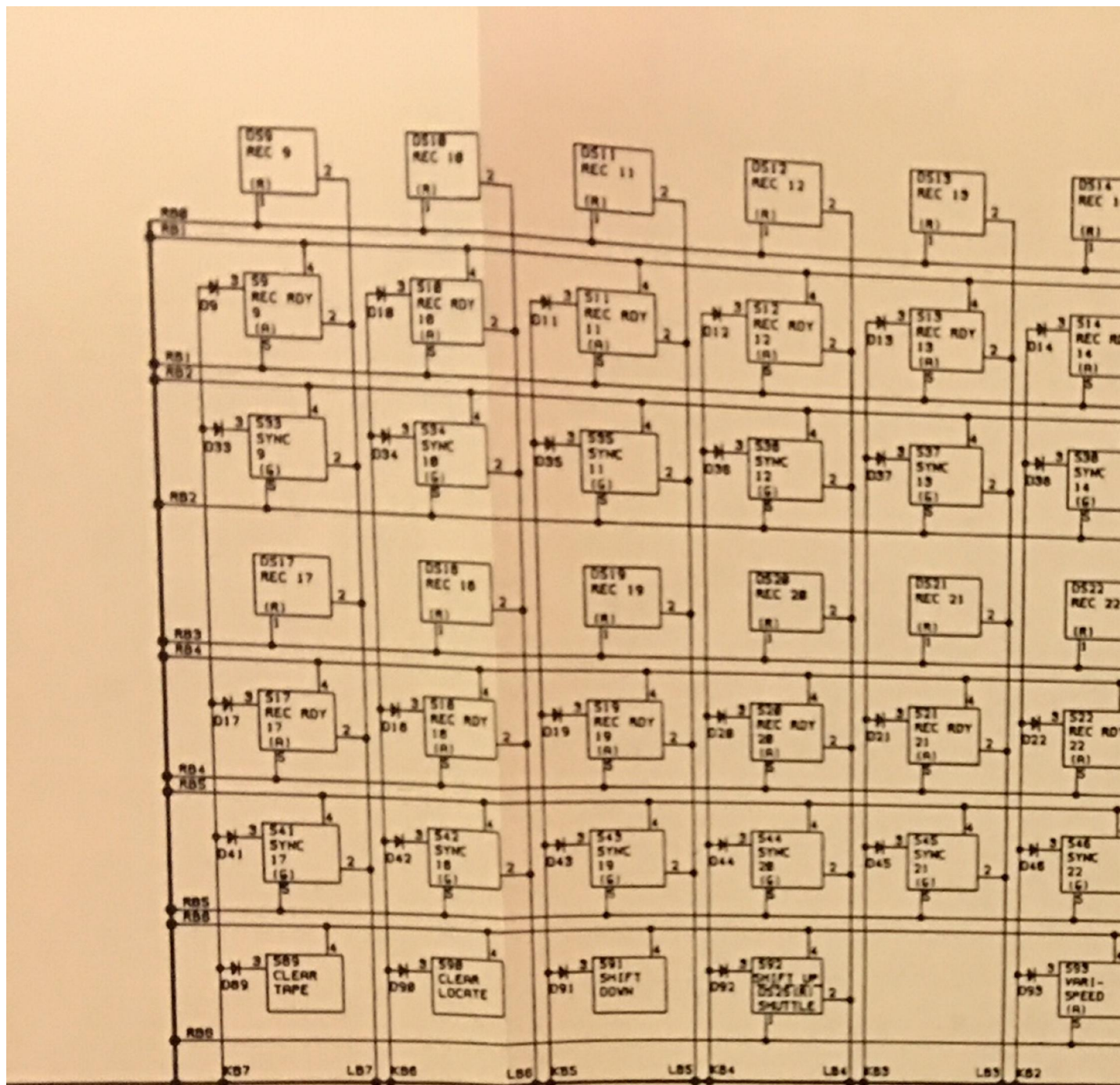
RIBBON  
SOLDER  
HEADER  
CNJ2

RB0	1
RB1	2
RB2	3
RB3	4
RB4	5
RB5	6
RB6	7
KB0	8
KB1	9
KB2	10
KB3	11
KB4	12
KB5	13
KB6	14
KB7	15
LB0	16
LB1	17
LB2	18
LB3	19
LB4	20
LB5	21
LB6	22
LB7	23
NC	24
NC	25
NC	26

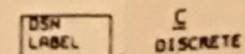
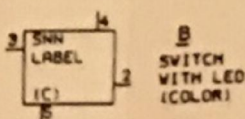
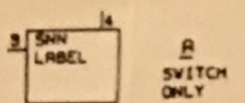
TO CNJ8  
MRC BOARD







EXAMPLES OF SYMBOL USAGE



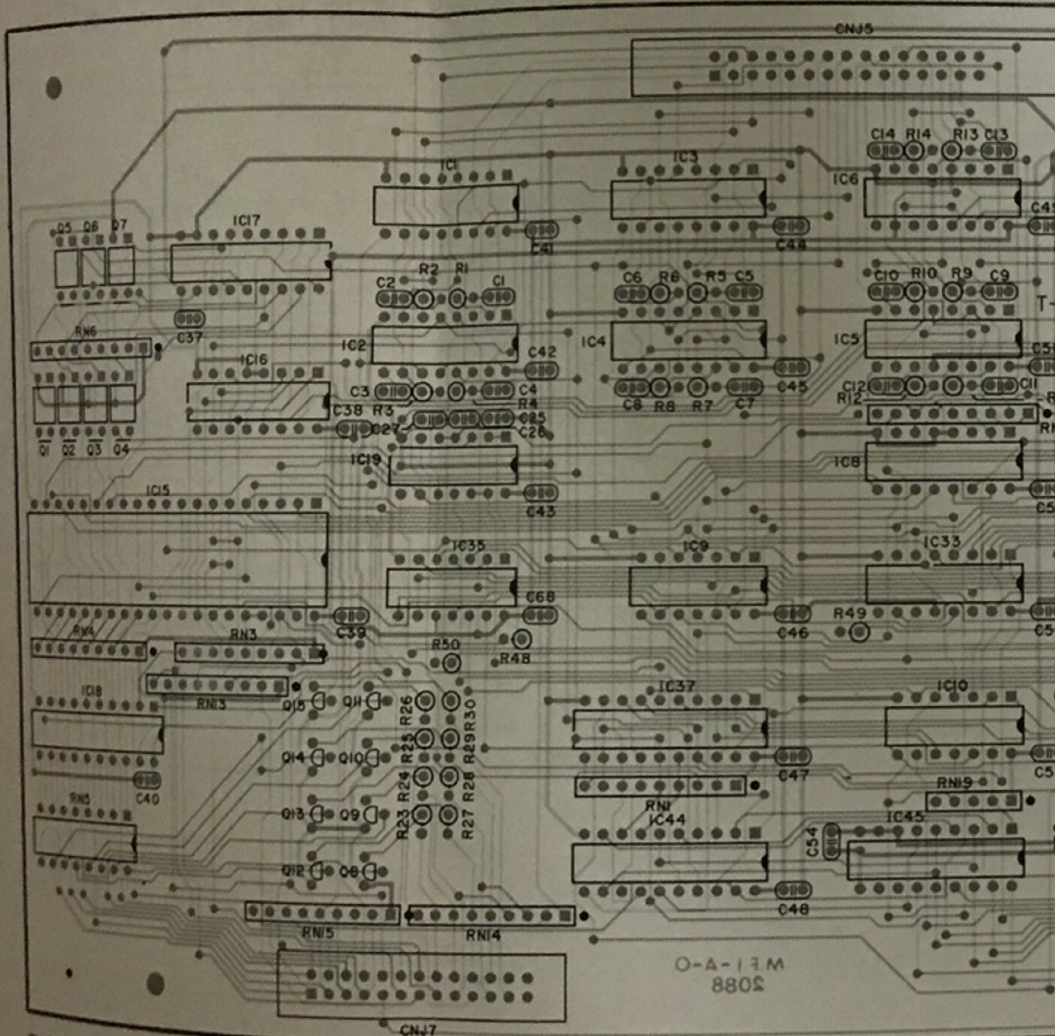
DISCRETE LED  
 1 = CATHODE  
 2 = ANODE  
 SWITCH W/ LED  
 1 = ANODE  
 2 = SWITCH  
 3 = SWITCH  
 4 = CATHODE  
 DISCRETE DIODE  
 1 = CATHODE  
 2 = ANODE



MRB

MRC

MRC BOARD (7-8413-978-11)  
Component Side



■ SOLDER SIDE PATTERN  
● COMPONENT SIDE PATTERN



MRC-BOARD  
Multi-Track Remote Controller Board

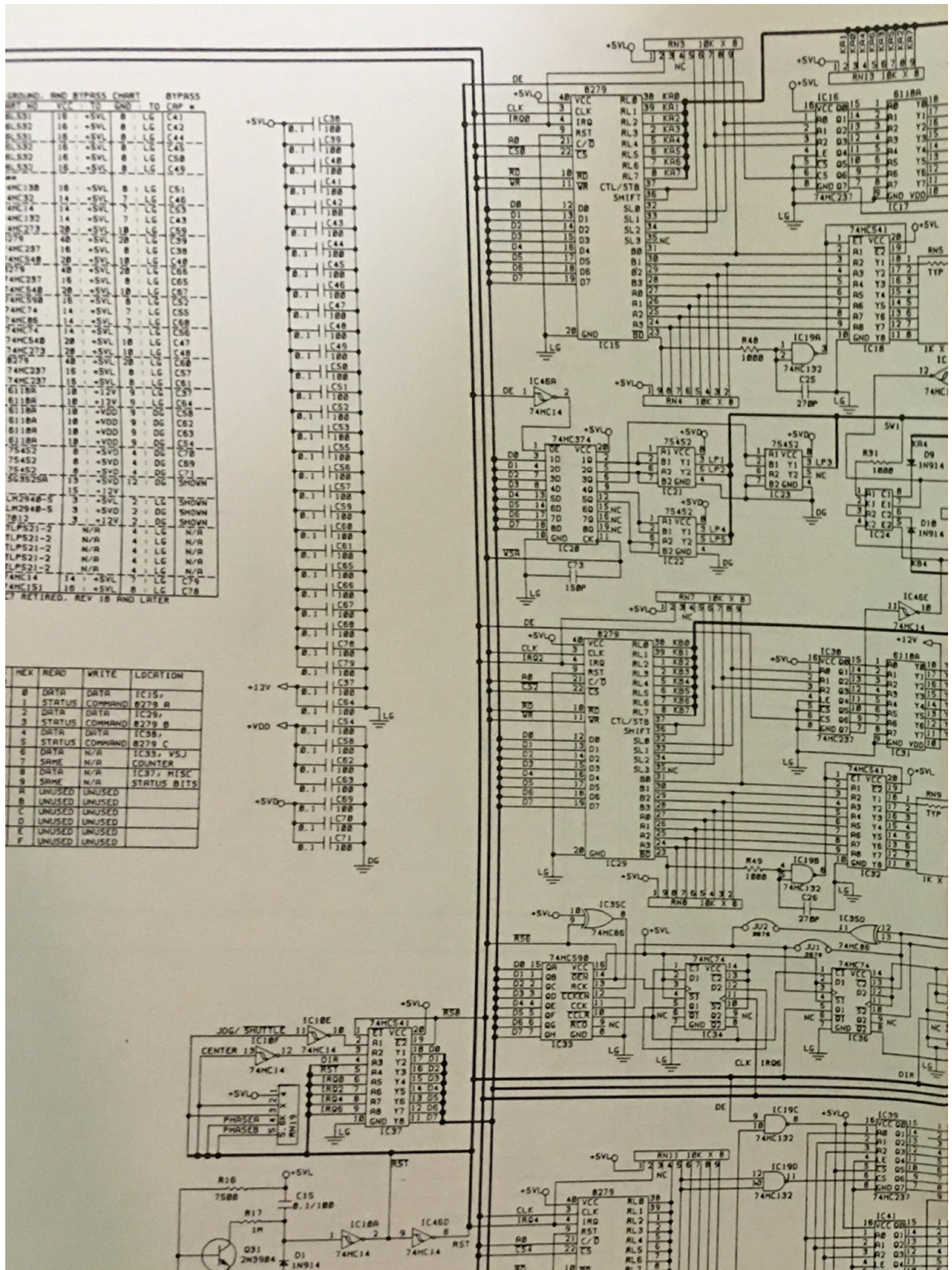
CN JS	
D0	HI
D0	LO
D1	HI
D1	LO
D2	HI
D2	LO
D3	HI
D3	LO

D4	HI
D4	LO
D5	HI
D5	LO
D6	HI
D6	LO
D7	HI
D7	LO

R0	HI
R0	LO
R1	HI
R1	LO
R2	HI
R2	LO
R3	HI
R3	LO

HI	ND
LO	ND
HI	VR
LO	VR
NC	
NC	





GROUND, RND BYPASS CHART

IC NO.	VCC	TO	GND	TO	CAP.
8LS31	18	+SVL	8	LG	C41
8LS32	18	+SVL	8	LG	C42
8LS31	18	+SVL	8	LG	C44
8LS32	18	+SVL	8	LG	C45
8LS32	18	+SVL	8	LG	C58
8LS32	18	+SVL	8	LG	C49
8NC					
8NC138	18	+SVL	8	LG	C51
8NC32	14	+SVL	7	LG	C46
8NC174	14	+SVL	7	LG	C53
8NC192	14	+SVL	7	LG	C43
8NC273	20	+SVL	10	LG	C59
8279	40	+SVL	20	LG	C39
84HC237	16	+SVL	8	LG	C38
84HC548	20	+SVL	10	LG	C48
8279	40	+SVL	20	LG	C66
84HC237	16	+SVL	8	LG	C65
84HC548	20	+SVL	10	LG	C67
84HC598	20	+SVL	10	LG	C52
84HC74	14	+SVL	7	LG	C55
84HC86	14	+SVL	7	LG	C56
84HC74	14	+SVL	7	LG	C68
84HC548	20	+SVL	10	LG	C67
84HC273	20	+SVL	10	LG	C48
8279	40	+SVL	20	LG	C68
84HC237	16	+SVL	8	LG	C57
84HC237	16	+SVL	8	LG	C61
6118A	10	+12V	9	LG	C57
6118A	10	+12V	9	LG	C64
6118A	10	+VDD	9	DG	C58
6118A	10	+VDD	9	DG	C62
6118A	10	+VDD	9	DG	C63
6118A	10	+VDD	9	DG	C54
75452	8	+SVL	4	DG	C78
75452	8	+SVL	4	DG	C69
75452	8	+SVL	4	DG	C71
5C3525A	13	+SVL	12	DG	SHOWN
LM2948-5	15	+12V	2	LG	SHOWN
LM2948-5	3	+SVL	2	DG	SHOWN
7812	3	+12V	2	DG	SHOWN
TLPS21-2	N/A	N/A	4	LG	N/A
TLPS21-2	N/A	N/A	4	LG	N/A
TLPS21-2	N/A	N/A	4	LG	N/A
TLPS21-2	N/A	N/A	4	LG	N/A
TLPS21-2	N/A	N/A	4	LG	N/A
84HC14	14	+SVL	7	LG	C79
84HC15	16	+SVL	8	LG	C78

RET. RETIRED. REV 18 AND LATER

HEX	READ	WRITE	LOCATION
0	DATA	DATA	IC15, 8279 A
1	STATUS	COMMAND	IC29, 8279 B
2	DATA	DATA	IC29, 8279 C
3	STATUS	COMMAND	IC38, 8279 C
4	DATA	DATA	IC33, VSJ
7	SAME	N/A	COUNTER
8	DATA	N/A	IC37, MISC
9	SAME	N/A	STATUS BITS
A	UNUSED	UNUSED	
B	UNUSED	UNUSED	
C	UNUSED	UNUSED	
D	UNUSED	UNUSED	
E	UNUSED	UNUSED	
F	UNUSED	UNUSED	



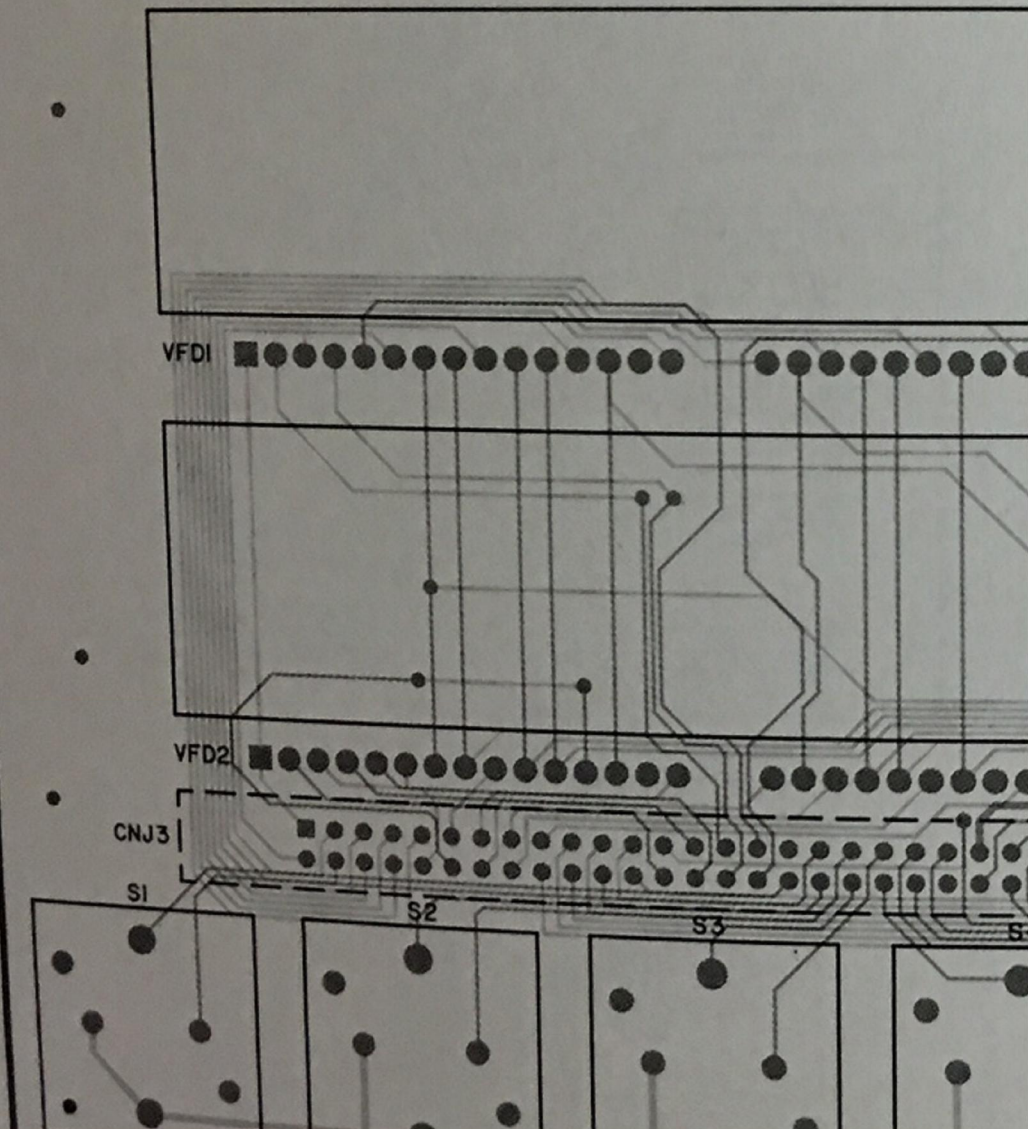
MRD BOARD (T-9413-977-1)  
Component Side

MRD

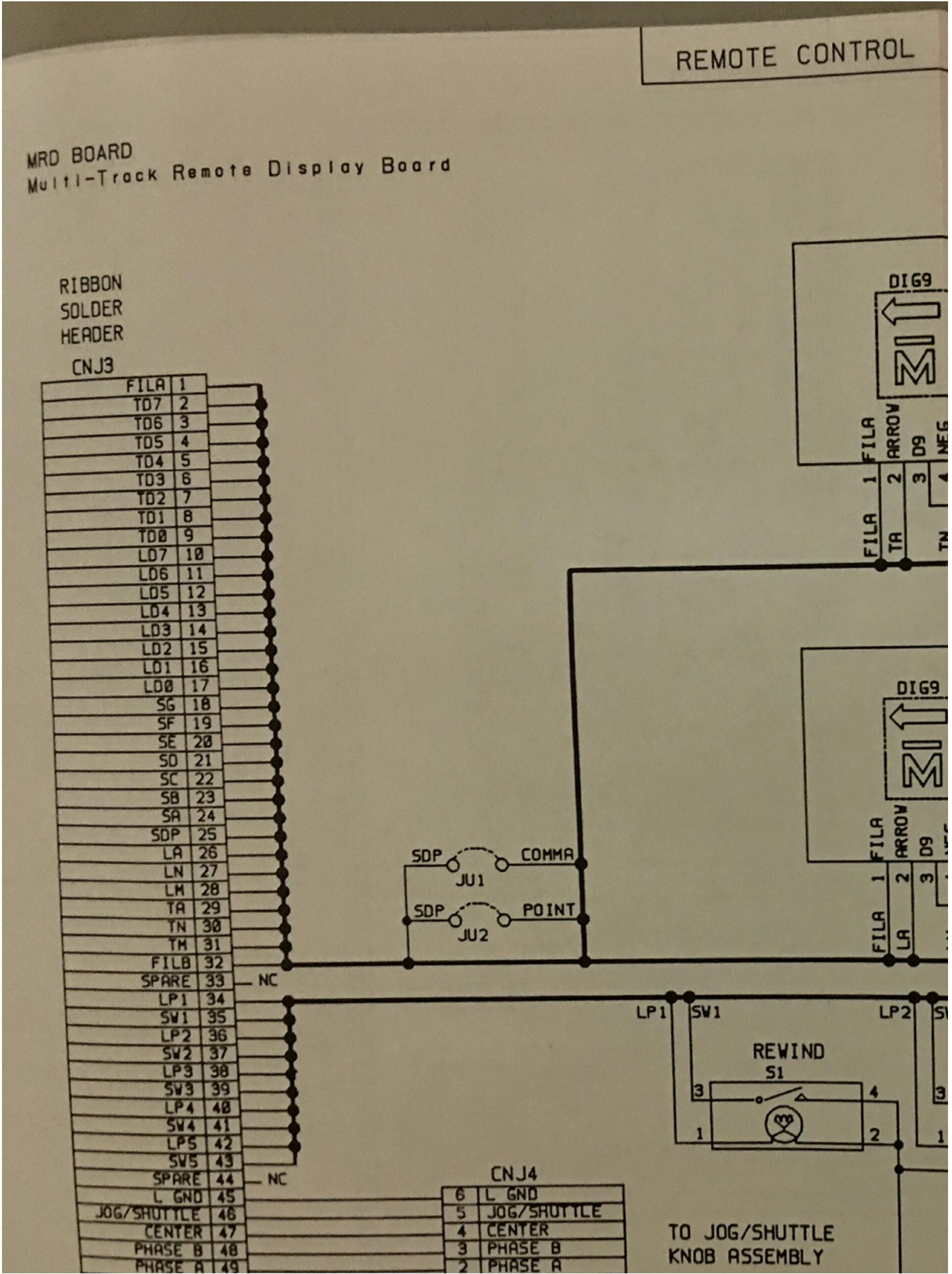
T-9413-977-1

**SONY**

MADE IN U.S.A.













Index No.	Parts No.	SP	Description
1101	A-7800-095-A	o	REMOTE CONTROL ASSY
	A-7850-722-A	o	COMPLETE PCB, MRB

**MRB BOARD SW & CAP**

	T-9482-684-1	o	CAP KIT, MRB
1102	T-9414-136-1	s	PUSH SW W/AMBER LED
1103	T-9414-137-1	s	PUSH SW W/GRREN LED
1104	T-9414-140-1	s	PUSH SW W/O LED
1105	T-9453-910-1	s	SW CAP, W/LNS 8.5MM, D ORG
1106	T-9453-911-1	s	SW CAP, W/LNS 8.5MM, IVORY
1107	T-9453-912-1	s	SW CAP, 10.5MM, IVORY
1108	T-9453-913-1	s	SW CAP, W/LNS 10.5MM, IVORY
1109	T-9453-914-1	s	KEY TOP (ZERO)
1110	T-9453-915-1	s	KEY TOP (1)
1111	T-9453-916-1	s	KEY TOP (2)
1112	T-9453-917-1	s	KEY TOP (3)
1113	T-9453-918-1	s	KEY TOP (4)
1114	T-9453-919-1	s	KEY TOP (5)
1115	T-9453-920-1	s	KEY TOP (6) (9)
1116	T-9453-921-1	s	KEY TOP (7)
1117	T-9453-922-1	s	KEY TOP (8)
1118	T-9453-923-1	s	KEY TOP (A)
1119	T-9453-924-1	s	KEY TOP (B)
1120	T-9453-925-1	s	KEY TOP (C)
1121	T-9453-926-1	s	KEY TOP (D)
1122	T-9453-927-1	s	KEY TOP (E)
1123	T-9453-928-1	s	KEY TOP (R)
1124	T-9453-929-1	s	KEY TOP (ARROW)
1125	T-9453-930-1	s	KEY TOP (STO)
1126	T-9453-931-1	s	KEY TOP (RCL)
1127	T-9453-932-1	s	KEY TOP (+/-)
1128	T-9454-046-1	s	KEY TOP (+)
1129	T-9454-047-1	s	KEY TOP (-)

1130	A-6734-238-B	s	DIAL BLOCK ASSY, SERCH
1131	A-7850-724-A	o	COMPLETE PCB, MRC

Index No.	Parts No.	SP	Des
1148	T-9412-345-1	s	THE
1149	T-9413-967-1	o	INSI
			COI
1150	T-9414-141-1	s	FLA
1151	T-9452-468-1	s	WA
1152	T-9453-904-1	o	KEF
1153	T-9453-941-1	o	STF
1154	T-9453-953-1	o	EN
1155	T-9453-955-1	o	PL
1156	T-9453-957-1	o	EN
1157	T-9453-964-1	o	LEI
1158	T-9453-966-1	o	FIL
1159	T-9482-653-1	o	HA
1160	T-9482-655-1	o	HA
1161	1-560-304-00	o	PC
1162	1-562-151-11	o	HC
1163	1-564-016-21	o	PII
1164	1-566-385-11	o	PII
1165	1-566-413-11	o	PII
1166	1-574-212-11	s	AS
1167	1-622-638-11	o	PC
1168	2-280-622-11	o	SU
1169	3-639-371-02	s	SI
1170	3-657-986-00	o	G
1171	3-662-048-00	s	W
1172	3-668-012-00	s	R
1173	3-701-443-21	s	W
1174	3-703-225-00	s	W
1175	3-717-315-01	o	P
1176	3-717-316-02	o	G
1177	3-717-317-01	o	P
1178	3-717-318-01	o	E
1179	3-717-319-01	o	S
1180	3-717-320-01	o	S
1181	3-717-321-01	o	F
1182	3-717-322-01	o	

Hope this helps you can email me I've got a number of an Apr 24 guru in nashville who can help you  
TTM

On Sep 7, 2016, at 10:45 AM, [dhhaudio@yahoo.com](mailto:dhhaudio@yahoo.com) [sony\_apr] <[sony\\_apr@yahogroups.com](mailto:sony_apr@yahogroups.com)> wrote:

Sweeeet.....

---

[View attachments on the web](#)

Posted by: Bellsouth <[bunkypiano@bellsouth.net](mailto:bunkypiano@bellsouth.net)>

[VISIT YOUR GROUP](#) [New Members 2](#) |

**YAHOO!** GROUPS

[Privacy](#) • [Unsubscribe](#) • [Terms of Use](#)