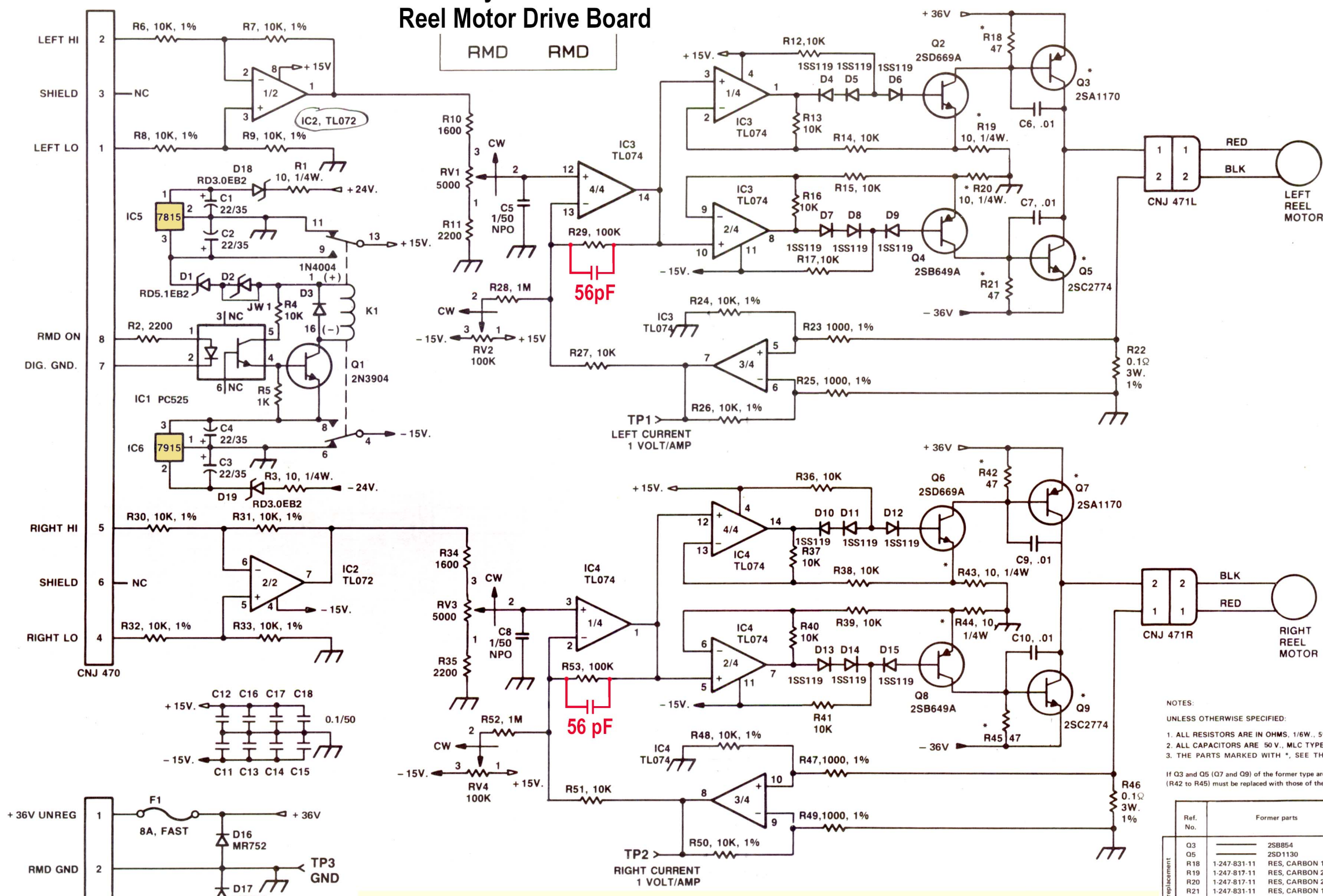


Sony APR-5000 Reel Motor Drive Board



NOTES:
 UNLESS OTHERWISE SPECIFIED:
 1. ALL RESISTORS ARE IN OHMS, 1/6W., 5%.
 2. ALL CAPACITORS ARE 50 V., MLC TYPE.
 3. THE PARTS MARKED WITH *, SEE THE FOLLOWING TABLE.
 If Q3 and Q5 (Q7 and Q9) of the former type are replaced with those of the new type, R18 to R21 (R42 to R45) must be replaced with those of the new type at the same time.

Ref. No.	Former parts	New parts
Q3	2SB854	8-729-300-24 2SA1170
Q5	2SD1130	8-729-300-18 2SC2774
R18	1-247-831-11 RES, CARBON 1K	1-249-401-11 RES, CARBON 47
R19	1-247-817-11 RES, CARBON 270	1-247-688-11 RES, CARBON 10
R20	1-247-817-11 RES, CARBON 270	1-247-688-11 RES, CARBON 10
R21	1-247-831-11 RES, CARBON 1K	1-249-401-11 RES, CARBON 47
Q7	2SB854	8-729-300-24 2SA1170
Q9	2SD1130	8-729-300-18 2SC2774
R42	1-247-831-11 RES, CARBON 1K	1-249-401-11 RES, CARBON 47
R43	1-247-817-11 RES, CARBON 270	1-247-688-11 RES, CARBON 10
R44	1-247-817-11 RES, CARBON 270	1-247-688-11 RES, CARBON 10
R45	1-247-831-11 RES, CARBON 1K	1-249-401-11 RES, CARBON 47

NOTES (by Eddie Ciletti January 2008)

If card is oscillating...

- 1.) confirm that transistors are good and reflow solder if necessary
- 2.) add 56pF caps in parallel with R29 and R53. If improved but not fixed, experiment.
- 3.) replace c1, c2, c3, c4 around 7815 / 7815
- 3.) Replace c11, c12, c13, c14, c15, c16, c17, c18
- 4.) note caps around Q3, Q5, Q7, Q9. These are supposed to reduce gain at high frequencies, but are not very effective

edaudio@tangible-technology.com

651-554-0304

RMD BOARD
 BOARD NO. 1-619-160-11 & HIGHER
 APR-5002/5003