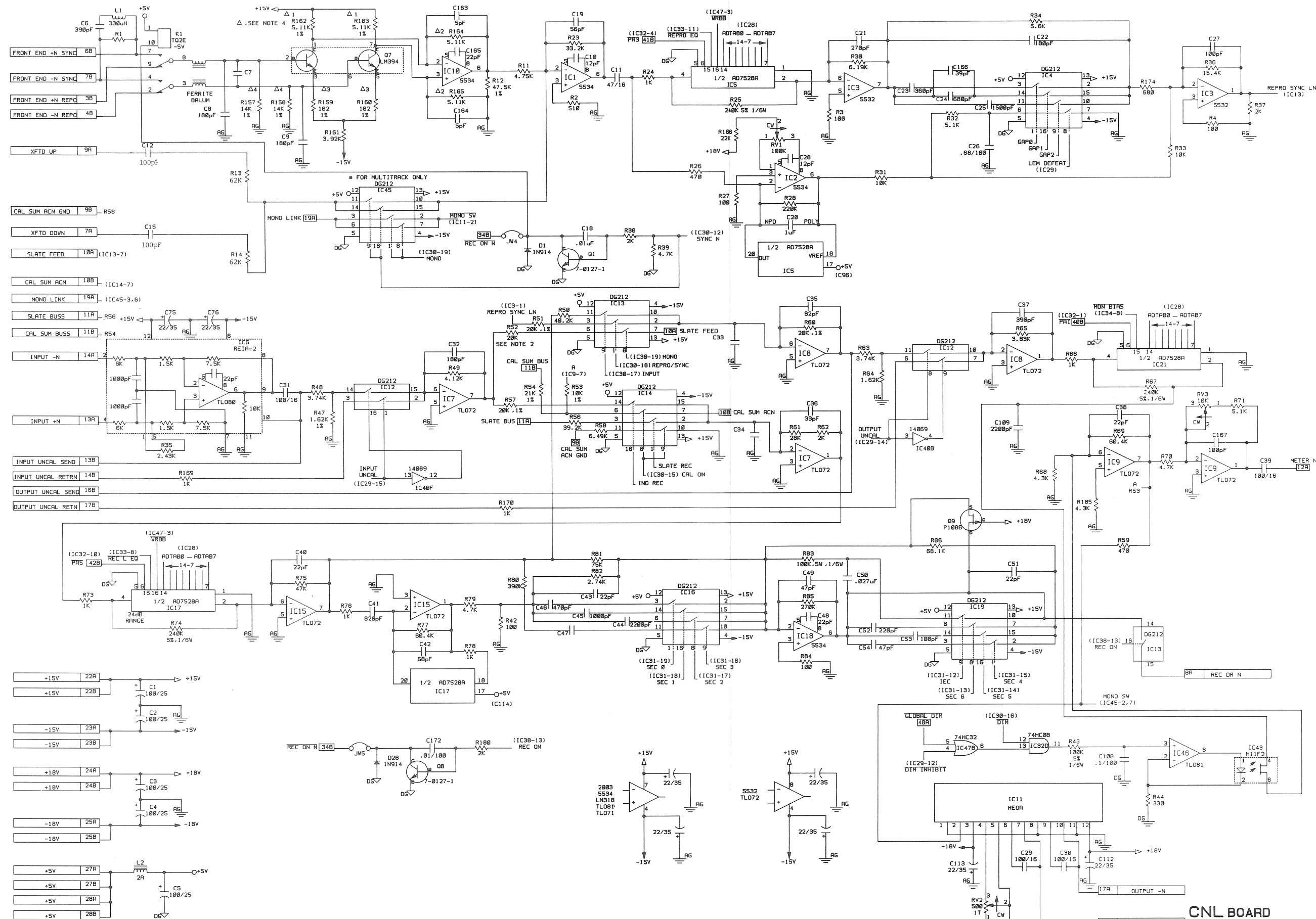


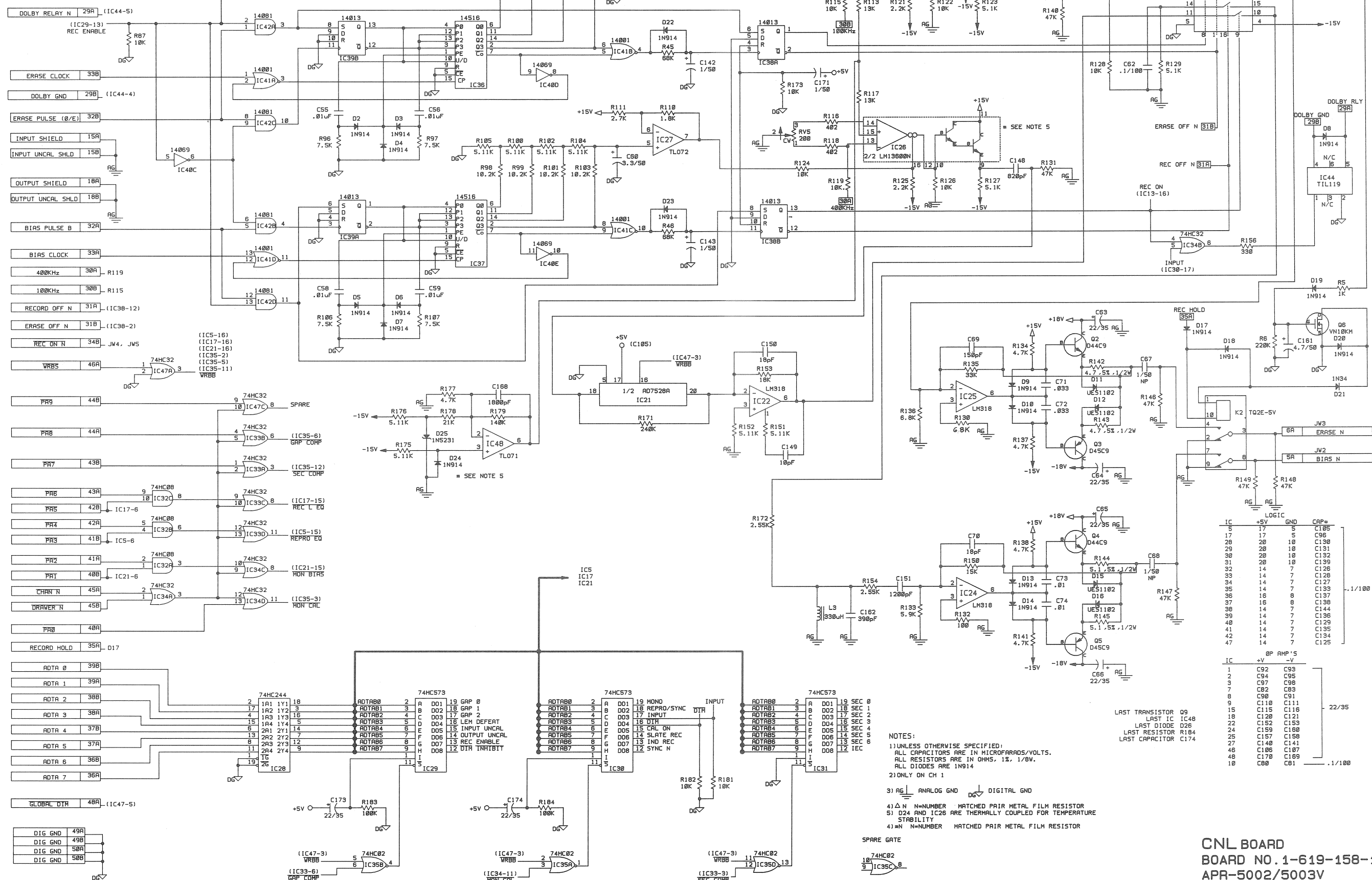
CNL BOARD



CNL BOARD
BOARD NO. 1-619-158-11 & HIGHER
APR-5002/5003V

CNL BOARD

ANALOG GND	1A
ANALOG GND	1B
ANALOG GND	2A
ANALOG GND	2B
ANALOG GND	3A
ANALOG GND	4A



DIG GND	49A
DIG GND	49B
DIG GND	58A
DIG GND	58B

IC	+5V	LOGIC	GND	CAP#
5	17	5		C105
17	17	5		C96
20	20	10		C130
29	20	10		C131
30	20	10		C132
31	20	10		C139
32	14	7		C126
33	14	7		C128
34	14	7		C127
35	14	7		C133
36	16	8		C137
37	16	8		C138
38	14	7		C144
39	14	7		C136
40	14	7		C129
41	14	7		C135
42	14	7		C134
47	14	7		C125

IC	+V	0P AMP	-V
1		C92	C93
2		C94	C95
3		C97	C98
7		C02	C03
8		C90	C91
9		C110	C111
15		C115	C116
18		C120	C121
22		C152	C153
24		C159	C160
25		C157	C158
27		C140	C141
46		C106	C107
48		C170	C169
10		C00	C01

NOTES:
 1) UNLESS OTHERWISE SPECIFIED:
 ALL CAPACITORS ARE IN OHMS/FARADS/VOLTS.
 ALL RESISTORS ARE IN OHMS, 1%, 1/8W.
 ALL DIODES ARE 1N914
 2) ONLY ON CH 1
 3) AG ANALOG GND DG DIGITAL GND
 4) Δ N=NUMBER MATCHED PAIR METAL FILM RESISTOR
 5) D24 AND IC26 ARE THERMALLY COUPLED FOR TEMPERATURE STABILITY
 6) n N=NUMBER MATCHED PAIR METAL FILM RESISTOR

LAST TRANSISTOR Q9
 LAST IC IC48
 LAST DIODE D26
 LAST RESISTOR R184
 LAST CAPACITOR C174