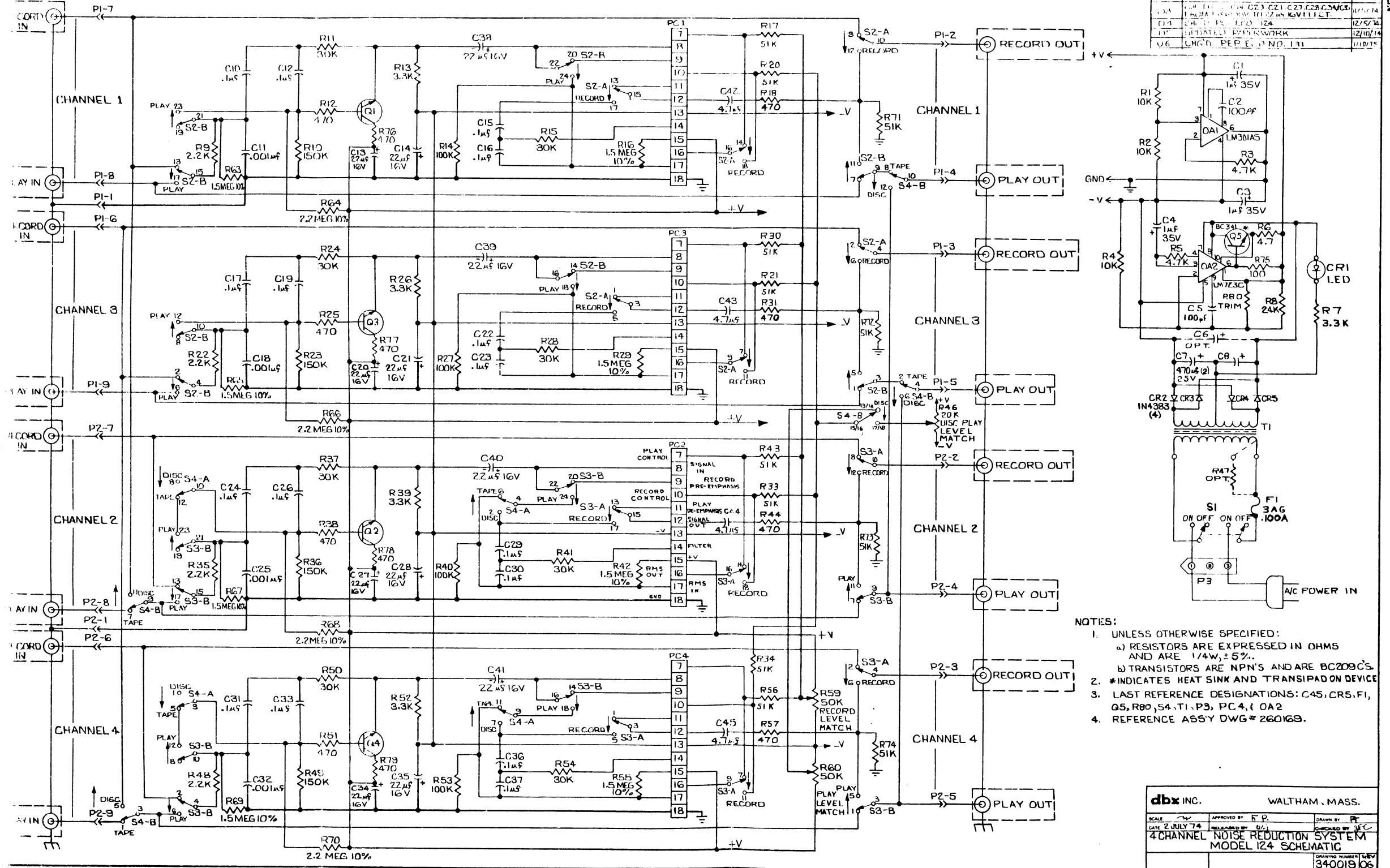


REV.	DESCRIPTION	DATE
0.3A	REVISED TO ADD C21, C27, C28, C34, C35, C36, C37, C38, C39, C40, C41, C42, C43, C44, C45, C46, C47, C48, C49, C50, C51, C52, C53, C54, C55, C56, C57, C58, C59, C60, C61, C62, C63, C64, C65, C66, C67, C68, C69, C70, C71, C72, C73, C74, C75, C76, C77, C78, C79, C80, C81, C82, C83, C84, C85, C86, C87, C88, C89, C90, C91, C92, C93, C94, C95, C96, C97, C98, C99, C100	11/17/74
0.1	CHANGED TO 124	12/5/74
0.2	UPDATED DRAWING	12/10/74
0.6	CHG'D PER E.D. NO. 131	11/07/75



- NOTES:
- UNLESS OTHERWISE SPECIFIED:
 - a) RESISTORS ARE EXPRESSED IN OHMS AND ARE 1/4W, ±5%.
 - b) TRANSISTORS ARE NPN'S AND ARE BC209C'S.
 - *INDICATES HEAT SINK AND TRANSIPAND DEVICE
 - LAST REFERENCE DESIGNATIONS: C45, CR5, F1, Q5, R80, S4, T1, P3, PC 4, OA2
 - REFERENCE ASSY DWG # 260169.

dbx INC.		WALTHAM, MASS.	
SCALE	APPROVED BY	DATE	DRAWN BY
DATE 2 JULY 74	RELEASED BY	12/10/74	3FC
4 CHANNEL NOISE REDUCTION SYSTEM MODEL 124 SCHEMATIC			
DRAWING NUMBER			REV
340019			06